

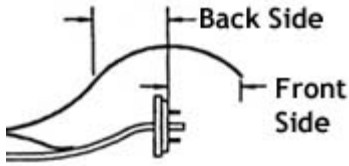
# BOB KLIPPEL'S WHEELS & ACCESSORIES, INC.

2000 S. Grove Ave. #C Ontario, CA 91761 • Phone (800) 724-9604 • Fax (909) 923-8600

## CHOOSING THE CORRECT WHEEL

Choosing the correct wheel for your application will give your ride the best look and the best overall performance. Taking the measurements below will help in determining the correct wheel for you!

### FRONT WHEELS



Front Side:  
\_\_\_\_\_

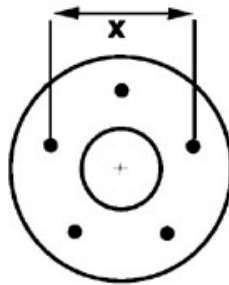
Back Side:  
\_\_\_\_\_

Wheel Size:  
\_\_\_\_\_ X \_\_\_\_\_

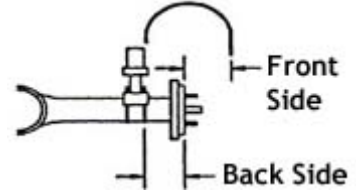
Bolt Pattern:  
\_\_\_\_\_

Lug Thread:  
\_\_\_\_\_

### BOLT PATTERN



### REAR WHEELS



Front Side:  
\_\_\_\_\_

Back Side:  
\_\_\_\_\_

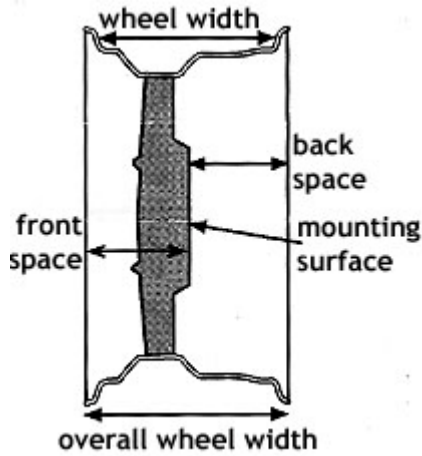
Wheel Size:  
\_\_\_\_\_ X \_\_\_\_\_

Bolt Pattern:  
\_\_\_\_\_

Lug Thread:  
\_\_\_\_\_

## BACK SPACING

### STANDARD WHEEL



### REVERSE WHEEL

